

designer: Hing Fung ■ Schnee Architects, Inc. ■ tel: 617-630-1900 ■ address: 339 Auburn Street, Newton, MA 02169 ■ email: hfung@schneearch.com

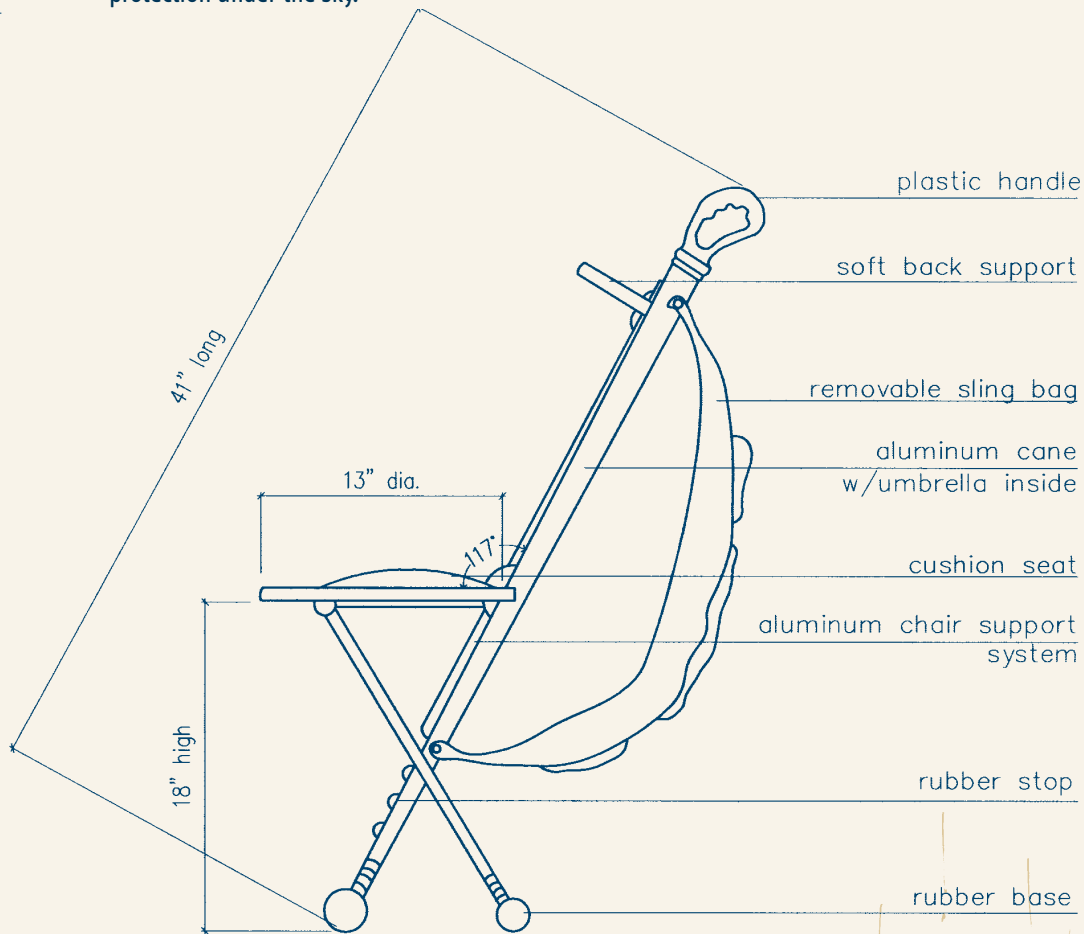
A Place to Sit

temporary shelter

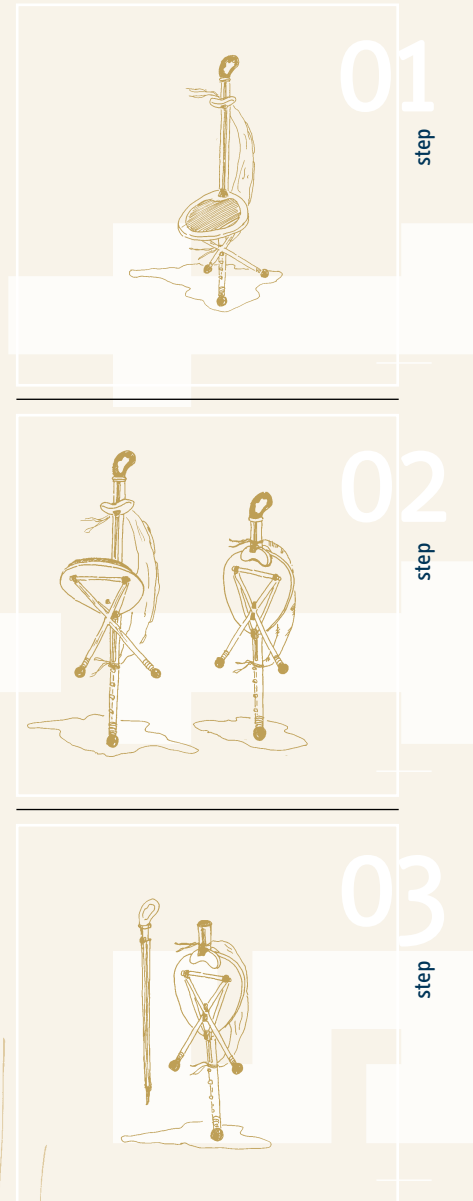
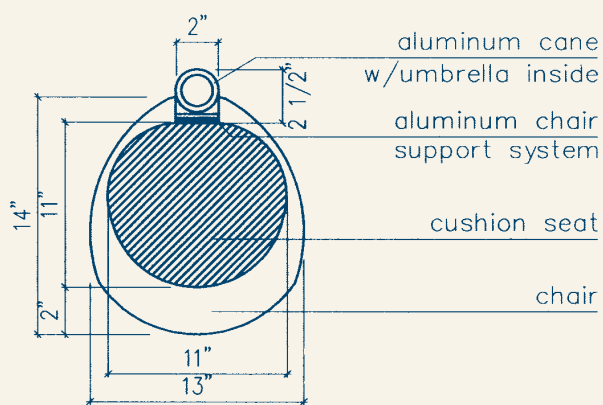
椅子設計 椅子設計 椅子設計 ■ chair design by Hing Fung

Before recorded history, there was no chair. An elevated surface where men found rest was called "A Place to Sit". When the place is covered, it becomes a shelter where men can find protection under the sky.

side view



top view



concept description

A place to sit — "place" can be defined as a particular portion of space occupied by a person or thing. It can be open, or it can be enclosed. To achieve the flexibility in a chair under both open & enclosed conditions, my goal was to design a chair that can serve as both a regular chair & a temporary shelter. People can use it inside or outside under any uncomfortable weather condition.

Because the chair can be used outside, there are two issues that have to be resolved. One is protection from weather (too hot or rainy). The second issue is portability. To solve the first issue, I designed a hidden umbrella inside the cane. To achieve portability, the chair has to be able to be carried by different age groups. Serving as a cane & sling pack is the optimum solution.

This chair is casual & functional. It is easy to operate & use. It serves different age groups & can be used in any weather condition. The idea behind this chair is that it is not only used as a chair, but also as a temporary shelter, a Place to sit.

